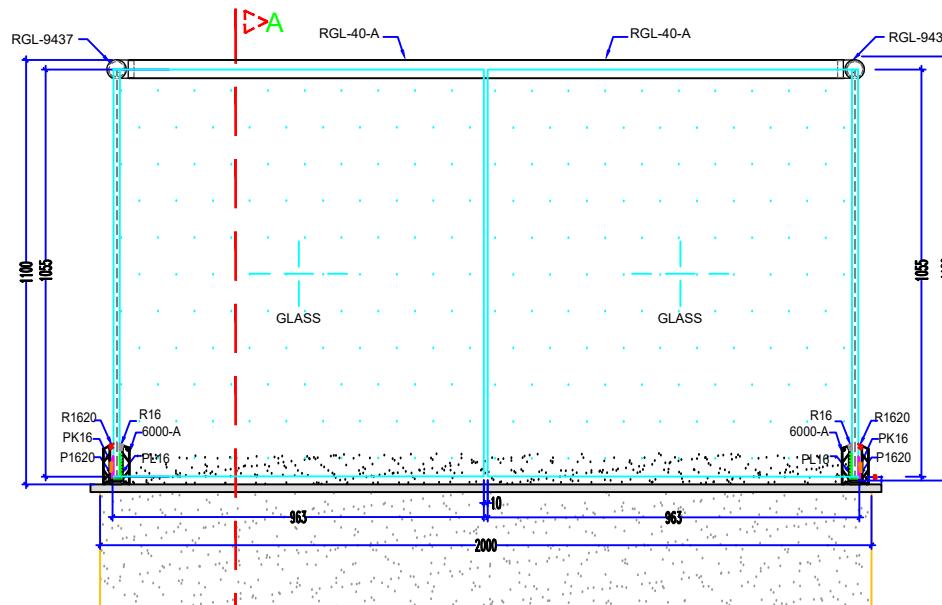
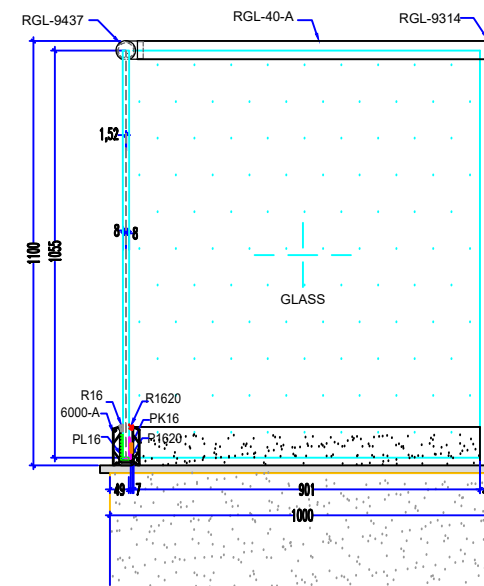


LEFT VIEW



FRONT VIEW

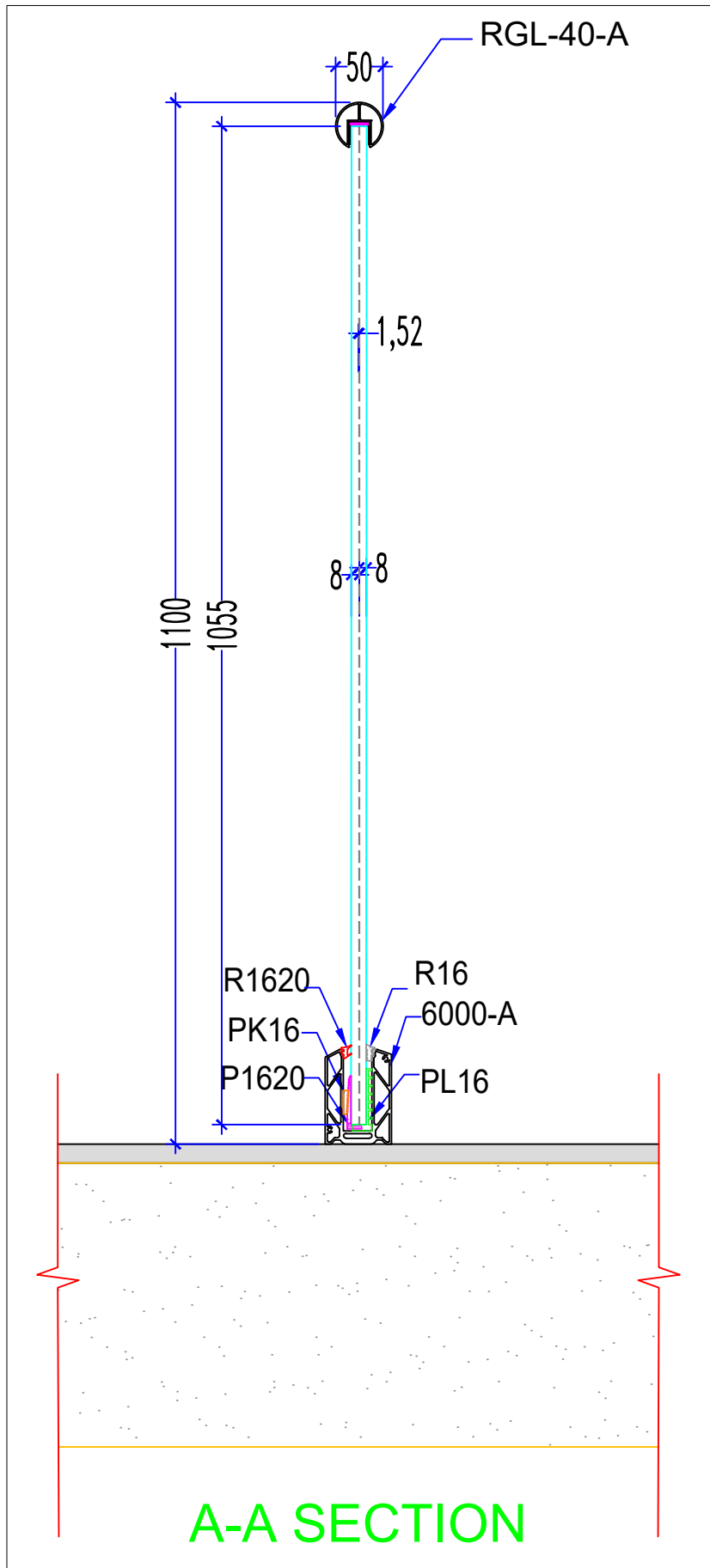


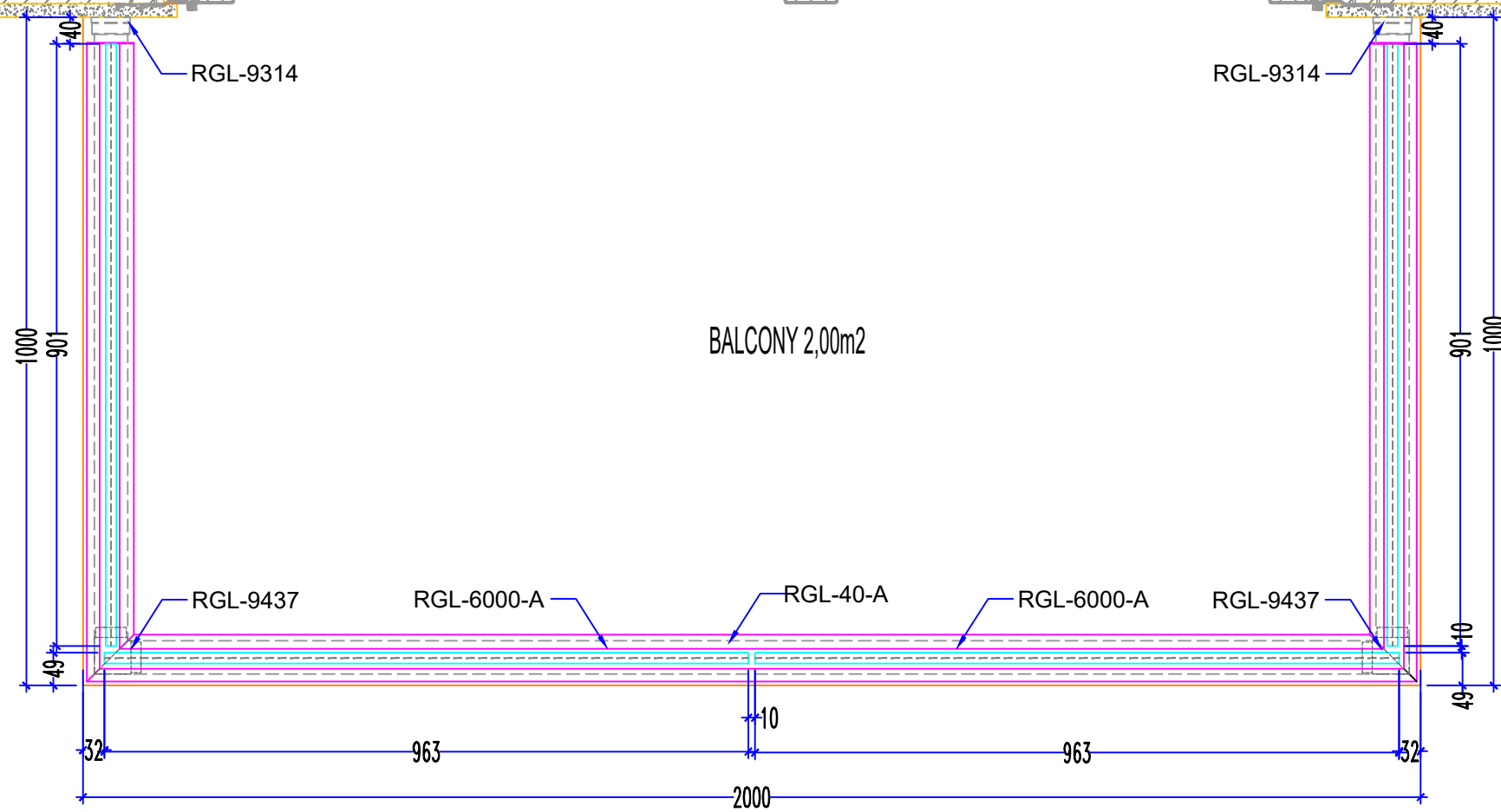
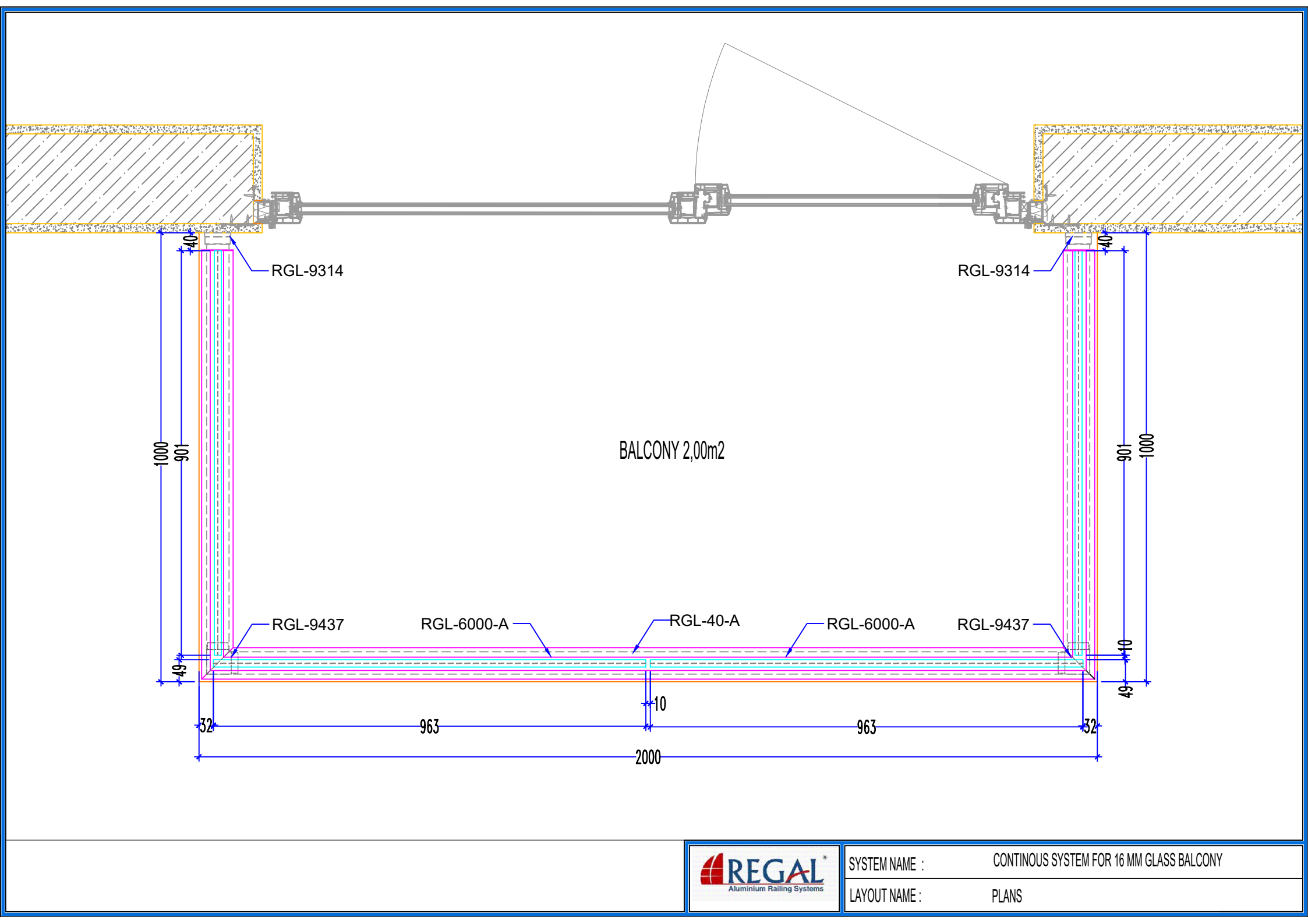
LEFT VIEW



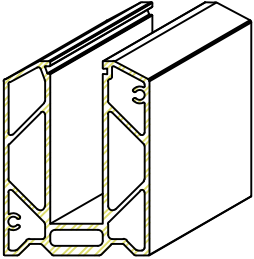
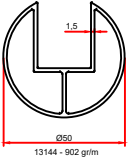
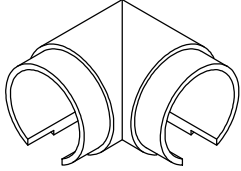
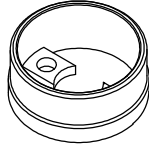
SYSTEM NAME : CONTINUOUS SYSTEM FOR 16 MM GLASS BALCONY




LAYOUT NAME : ELEVATION


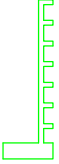




SYSTEM NAME :	CONTINUOUS SYSTEM FOR 16 MM GLASS BALCONY
LAYOUT NAME :	PLANS

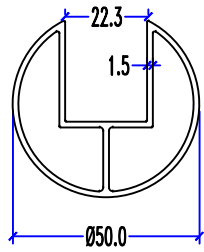
			
6000-A	RGL-40-A	RGL-9437	RGL-9314

		
R1620	PK16	P1620

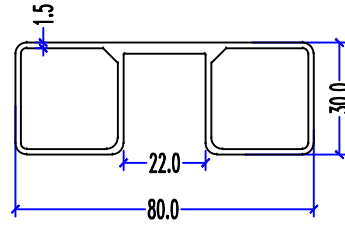
	
R16	PL16



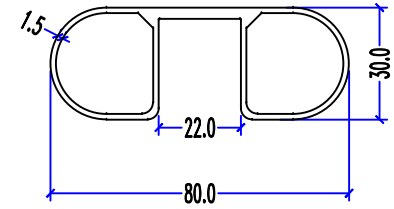
SYSTEM NAME : CONTINUOUS SYSTEM FOR 16 MM GLASS BALCONY
LAYOUT NAME : MATERIALS LIST



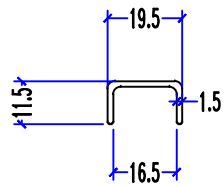
RGL-40-A



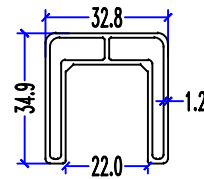
RGL-41-A



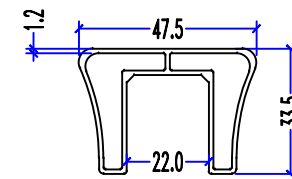
RGL-42-A



RGL-44-A



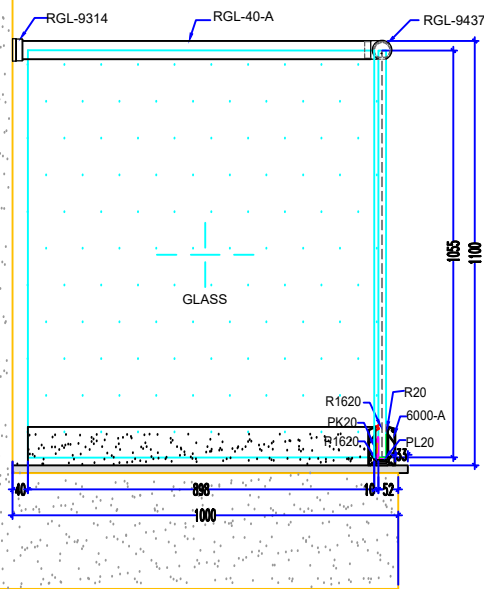
RGL-45-A



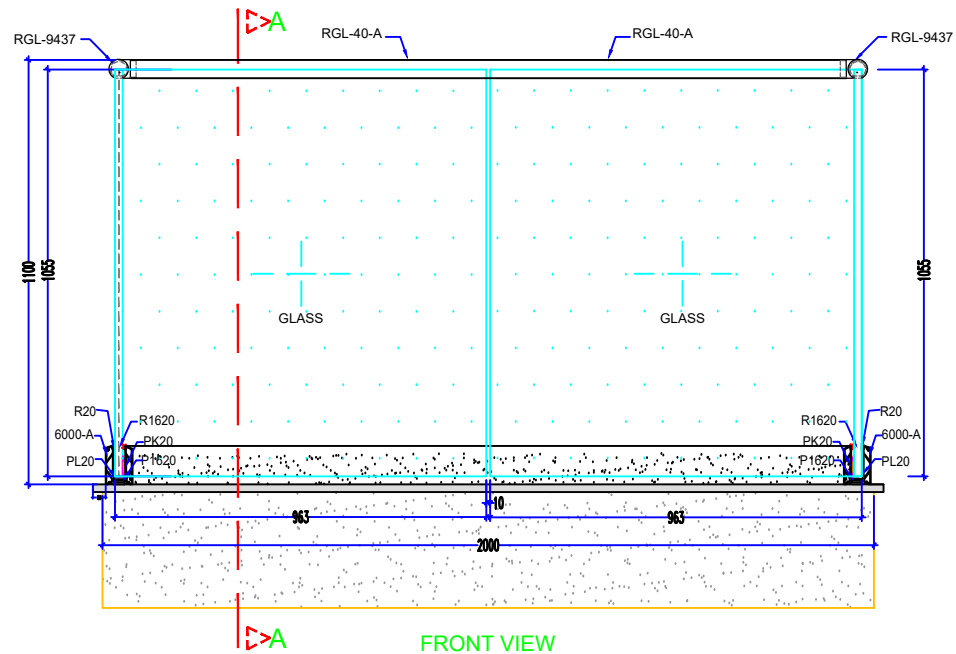
RGL-46-A



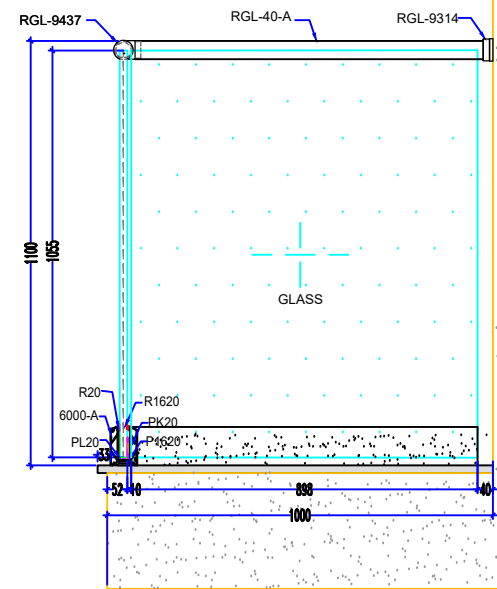
SYSTEM NAME : CONTINUOUS SYSTEM FOR 16 MM GLASS BALCONY
 LAYOUT NAME : PROFILS LIST



LEFT VIEW



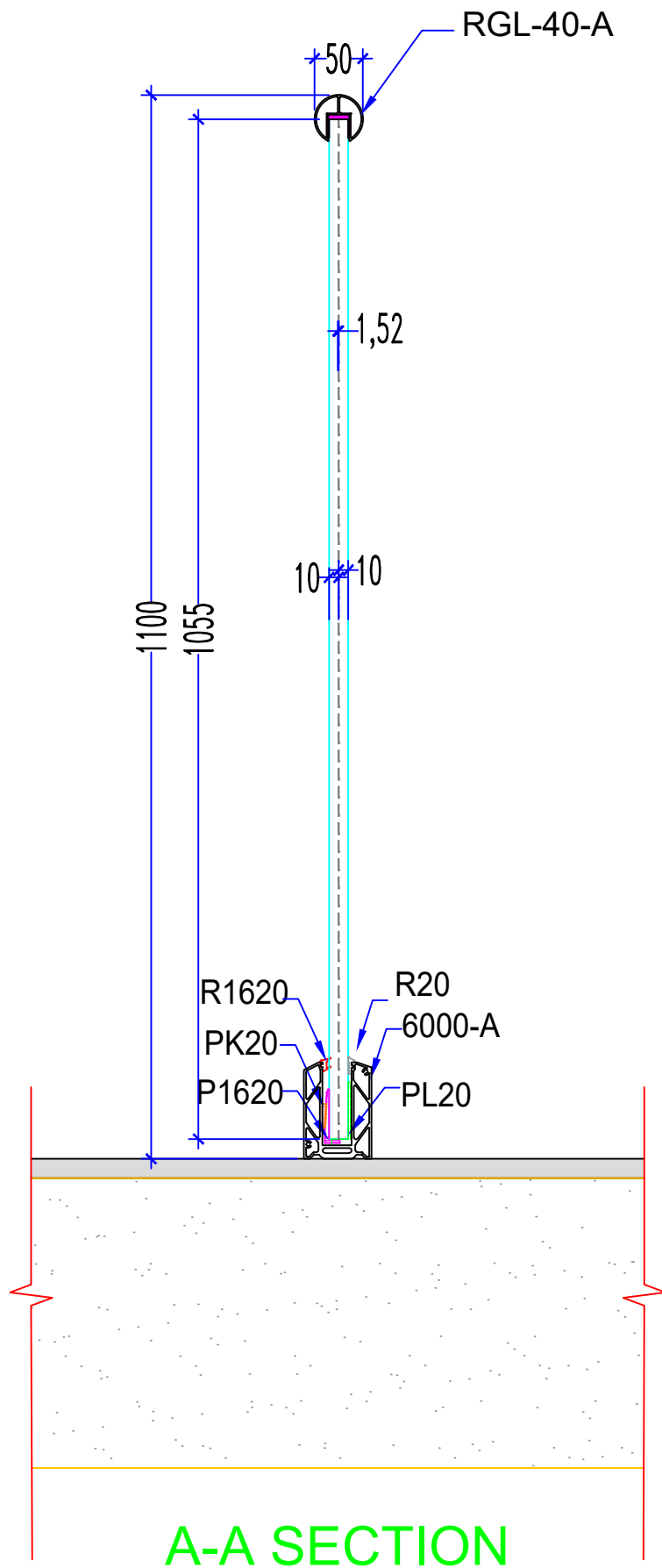
FRONT VIEW

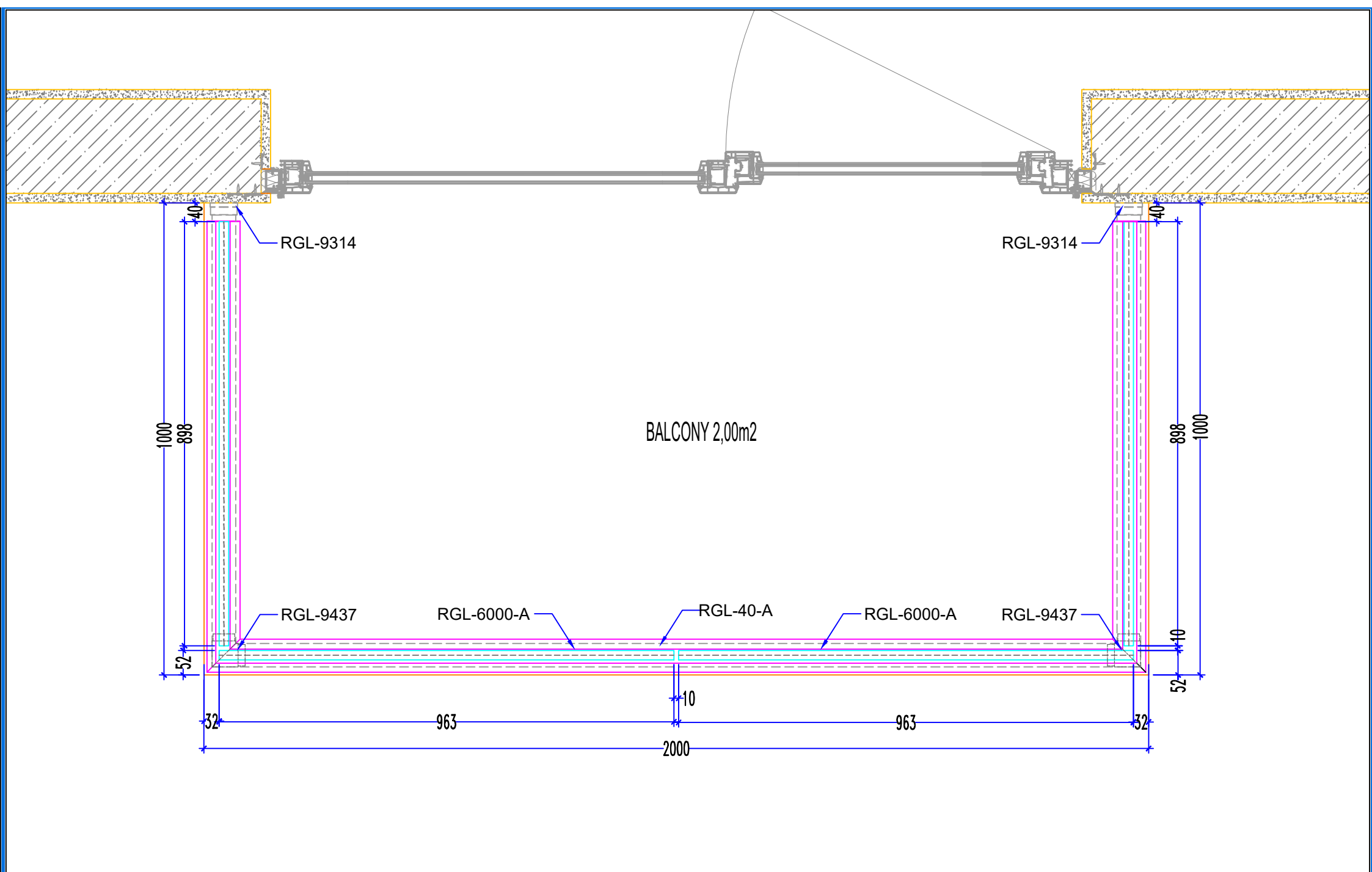


LEFT VIEW

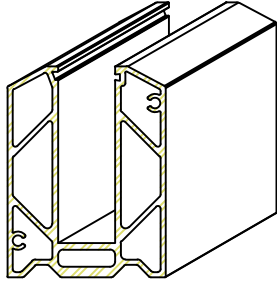
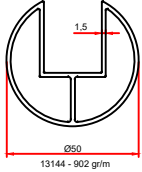
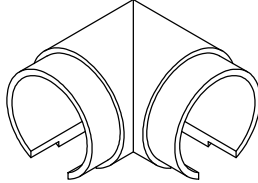
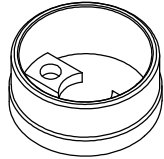





SYSTEM NAME : CONTINUOUS SYSTEM FOR 20 MM GLASS BALCONY
LAYOUT NAME : ELEVATION


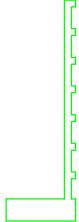




SYSTEM NAME :	CONTINUOUS SYSTEM FOR 20 MM GLASS BALCONY
LAYOUT NAME :	PLANS

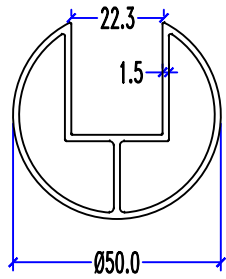
			
6000-A	RGL-40-A	RGL-9437	RGL-9314

		
R1620	PK20	P1620

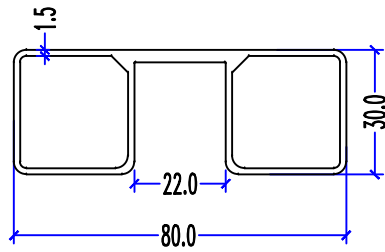
	
R20	PL20



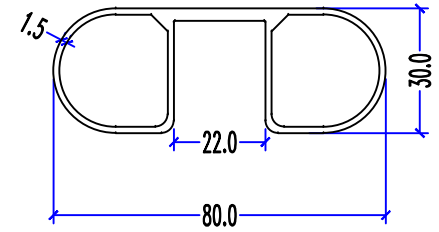
SYSTEM NAME :	CONTINUOUS SYSTEM FOR 20 MM GLASS BALCONY
LAYOUT NAME :	MATERIALS LIST



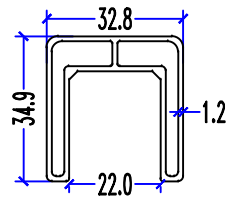
RGL-40-A



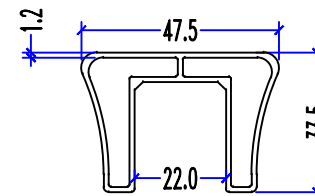
RGL-41-A



RGL-42-A



RGL-45-A



RGL-46-A



SYSTEM NAME : CONTINUOUS SYSTEM FOR 20 MM GLASS BALCONY

LAYOUT NAME : PROFILS LIST